



CMKTC825A  
CMKTC825E

**SURFACE MOUNT ULTRAmi™  
TEMPERATURE COMPENSATED  
ZENER DIODES**

**ULTRAmi™**



**SOT-363 CASE**

# Central™

**Semiconductor Corp.**

**DESCRIPTION:**

The CENTRAL SEMICONDUCTOR CMKTC825A and CMKTC825E are 6.2 volt, temperature compensated Zener reference diodes. These devices are ideal for applications requiring long term voltage stability over the specified temperature range.

**CMKTC825A MARKING CODE: CT25**  
**CMKTC825E MARKING CODE: C25E**

**MAXIMUM RATINGS: (T<sub>A</sub>=25°C)**

Power Dissipation  
Operating and Storage Junction Temperature  
Tolerance

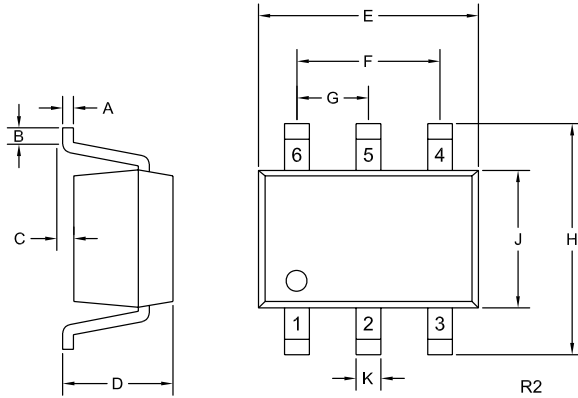
SYMBOL		UNITS
P <sub>D</sub>	325	mW
T <sub>J</sub> , T <sub>stg</sub>	-65 to +150	°C
	±5	%

**ELECTRICAL CHARACTERISTICS: (T<sub>A</sub>=25°C unless otherwise noted)**

SYMBOL	TEST CONDITIONS	MIN	NOM	MAX	UNITS
V <sub>Z</sub>	I <sub>Z</sub> =7.5mA	5.89	6.20	6.51	V
Z <sub>Z</sub>	I <sub>Z</sub> =7.5mA			20	Ω
ΔV <sub>Z</sub> *	I <sub>Z</sub> =7.5mA (CMKTC825A)			44	mV
ΔV <sub>Z</sub> *	I <sub>Z</sub> =7.5mA (CMKTC825E)			20	mV

\* The maximum allowable voltage change observed at the specified temperatures of -55°C, 0°C, 25°C, 75°C, and 100°C

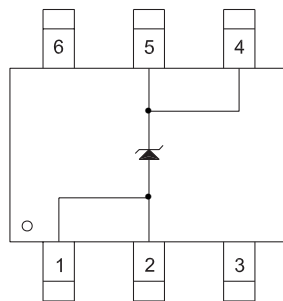
SOT-363 CASE - MECHANICAL OUTLINE



SYMBOL	DIMENSIONS			
	INCHES		MILLIMETERS	
A	0.004	0.010	0.10	0.25
B	0.005	-	0.12	-
C	0.000	0.004	0.00	0.10
D	0.031	0.043	0.80	1.10
E	0.071	0.087	1.80	2.20
F	0.051		1.30	
G	0.026		0.65	
H	0.075	0.091	1.90	2.30
J	0.043	0.055	1.10	1.40
K	0.006	0.012	0.15	0.30

SOT-363 (REV: R2)

PIN CONFIGURATION



LEAD CODE:

- 1) ANODE
- 2) ANODE
- 3) NC
- 4) CATHODE
- 5) CATHODE
- 6) NC

MARKING CODES

- CMKTC825A: CT25
- CMKTC825E: C25E

SUGGESTED MOUNTING PADS

(Dimensions in mm)

